



RHEEM PREMIER® LOLINE SOLAR WATER HEATER

	1 - 5	270L	5 YEAR
SOLAR	PEOPLE (See Table)	CAPACITY	CYLINDER COLLECTOR (supply only) WARRANTY ⁵



MODEL NO.
596270/2SP

FEATURES

- **Complete Frost Protection** – Unique Drain-Back™ heat exchange technology protects in any weather extreme
- Available in a 270L capacity
- **Hard Water Tolerance** – suitable for use with most water quality types
- **Visual Appeal** – split systems only require slimline collectors to be mounted on the roof and feature a ground mounted tank. This reduces structural load on your roof, and looks better too
- **Energy Efficient** – can cut energy use by up to 50% to 70%^{1,2}
- **Booster** – choice of 6-star continuous flow gas boost or electric element back up to provide hot water in any weather condition
- Full Mains Pressure for multiple outlets simultaneously³
- Internally mounted pump and controller
- Low maintenance ground level tank
- **LED Display** – enables you to easily check the operating status of the water heater
- Top mounted solar connections are located safely out of reach of children
- Eligible for STCs⁴
- 5 Year Cylinder and Collector Warranty⁵



MODEL NO.
591270/2SP

FROST PROTECTION

Specifically designed for environments prone to frost, the Rheem Premier® Loline incorporates Drain Back heat exchange technology to maximise solar gain and protect against all weather extremes. The Premier Loline replaces water in the collectors with a special heat exchange fluid with anti-freeze properties. The design is both safe and efficient, as fluid drains out of the collectors to prevent freezing and heat loss in cold conditions, and overheating in hot climates.

BOOSTER OPTIONS

The 270 litre Premier Loline offers on-site integrated gas boosting or in-tank electric boost options.

Gas boost models incorporate a 27L/min 6-star continuous flow water heater providing outstanding backup on cloudy days.

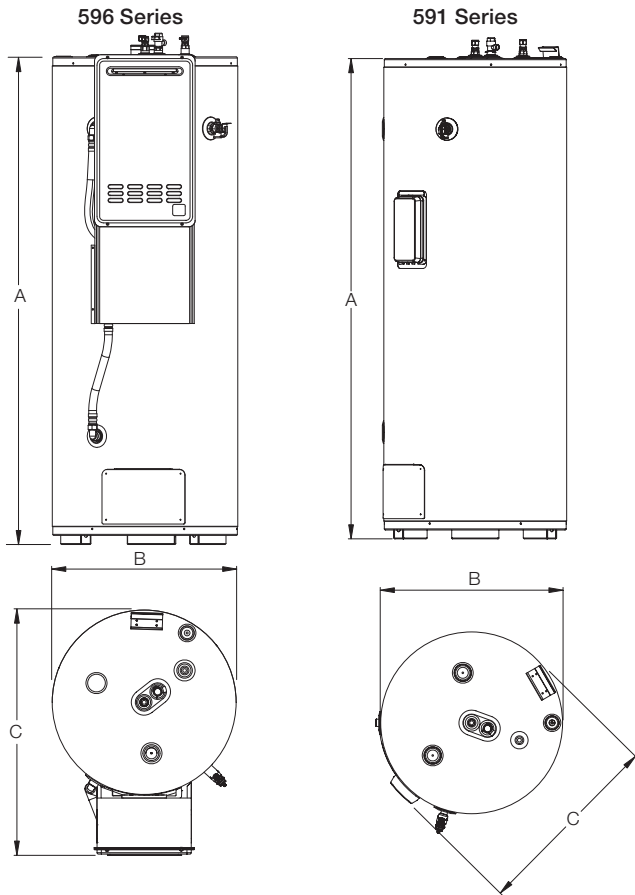
The electric model is suitable for connection to a continuous tariff and features automatic electronic controls.





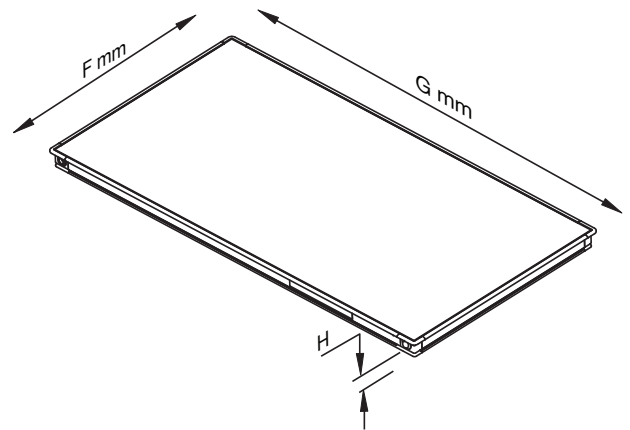
RHEEM PREMIER® LOLINE SOLAR WATER HEATER

MODEL	GAS			ELECTRIC ⁶	
	596270/1SP	596270/2SP	596270/3SP-G	591270/2SP	591270/3SP
	596270/1T	596270/2T	596270/3T-G	591270/2T	591270/3T
Storage Capacity	L 270	270	270	270	270
Solar Collectors	SPA2000 or T200 1	2	3	2	3
Booster Type	Gas – Integrated	Gas – Integrated	Gas – Integrated	Electric	Electric
Boost Capacity	L 27L/min	27L/min	27L/min	125	125
People Per Household	2-5	2-5	2-5	1-3	2-4
Dimensions & Specifications					
Height (A)	mm 1787	1787	1787	1775	1775
Width (B)	mm 650	650	650	650	650
Depth (C)	mm 890	890	890	682	682
Weight Empty – Tank	kg 165	165	165	146	146
Weight Full – Tank	kg 435	435	435	416	416
Weight Empty – Solar Collectors	kg 50	100	150	100	150
Weight Full – Solar Collectors	kg 54	108	162	108	162



SOLAR PANEL	F	G	H
T200	1023	1941	80
SPA2000	1043	1996	82

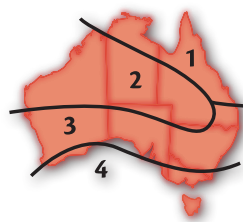
S200 & T200 Solar collectors



STCs

Small-scale Technology Certificates (STCs) are a financial benefit to encourage the installation of solar water heaters provided under a Federal Government legislated scheme.

This map shows the climate Zones within Australia which will define the number of STCs allocated to an approved solar water heater. Your installation may be eligible.⁴



To claim your STC entitlement, simply complete the STC Assignment form. Visit www.rheem.com.au/rebates to download the STC Assignment form.

¹ Energy reduction of up to 50% to 65% based on Australian Government Approved TRNSYS simulation modelling of a Rheem Premier Loline 591270/2T using a medium load in Zones 3 and 4 and apply when replacing an electric water heater and of up to 55% to 70% for a 596270/2SP using a medium load in zones 3 and 4 and apply when replacing a 3 star gas water heater.

² Any financial savings will vary depending upon type of Rheem Solar system installed, orientation and inclination of the solar collectors, type of water heater being replaced, hot water consumption and fuel tariff. Maximum financial savings off your hot water bill are achievable when replacing an electric water heater on continuous tariff.

³ Electric boost models only.

⁴ Eligibility criteria apply.

⁵ Warranty Conditions. Solar tank/collectors – 5 years supply on cylinder and solar collectors, 3 years labour on cylinder, 1 year labour on collector, 1 year supply and labour on other parts. Continuous flow gas booster – 10 years supply on heat exchanger, 3 years labour on heat exchanger, 3 years supply and labour on other parts. Applies to a single-family domestic dwelling only. Conditions apply, see Rheem's warranty set out in the product's Owner's Guide or view it at www.rheem.com.au/warranty Phone 131 031 for details. Materials and specifications are subject to change without notice.

⁶ 591270 is recommended to be used with T200 solar collectors in Tasmania, Victoria and South Australia.

[®] Registered Trademark of Rheem Australia Pty Ltd.

[™] Drain-back is a registered trademark of Rheem Australia Pty Ltd.

[™] Trademark of SAI Global.



Rheem Australia Pty Ltd.

1 Alan Street, Rydalmere, New South Wales 2116, Australia
PO Box 7508, Silverwater, New South Wales 2128, Australia

